

ACCU SHARP®

Keep your edge®

Knife and Tool SHARPENERS Catalog

EST. 1984



The last knife sharpener you will ever need...



MADE IN THE USA 

The Value of AccuSharp® Products

Fortune Products Inc. focuses on one primary goal with the AccuSharp® line of products - making the most effective knife and blade sharpeners in the world. Our every effort is aimed toward creating products that provide the sharpest edge possible for your knives, tools, and equipment. Whether your sharpening needs are in the kitchen, workshop, yard, hunting, fishing or other outdoor sports, our sharpening products help you maintain the very best edge.



Scan here to see how our AccuSharp® Knife and Tool Sharpeners work.



AccuSharp® Knife and Tool Sharpener

Sharpen knives (even serrated knives), cleavers, axes, machetes, and many other cutting tools in about 10 seconds. The large, ergonomic handle fits either hand & the full-length finger guard safely protects your fingers. The sharpening blades are diamond-honed tungsten carbide and provide years of reliable use.



(069C)



(001C)

ShearSharp® Scissors Sharpener

ShearSharp® sharpens general purpose scissors, hedge clippers, and tin snips. If you own a pair of scissors, you will want to have the easy-to-use, affordable ShearSharp® Scissors Sharpener. The sharpening blade is diamond-honed tungsten carbide and provides years of reliable use.



Scan here to see how our AccuSharp® Knife and Tool Sharpeners work.



MADE IN THE USA



(002C)

GardenSharp® Tool Sharpener

The GardenSharp® Tool Sharpener is designed to sharpen all those single-edged and hard to sharpen items in your tool shed like lawnmower blades, pruning shears (secateurs), limb loppers, hoes, shovels, and scythes. Florists, landscapers, and gardeners of all kinds need the GardenSharp® Tool Sharpener.



Scan here to see how our AccuSharp® Knife and Tool Sharpeners work.



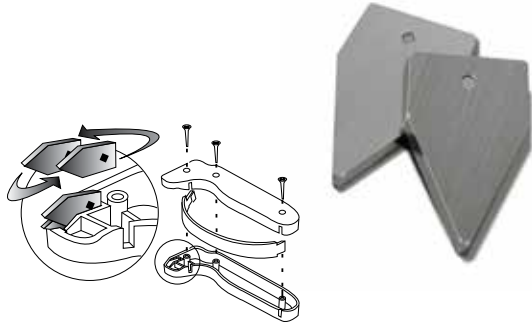
MADE IN THE USA



(006C)

AccuSharp® Replacement Blades

The diamond-honed tungsten carbide blades are reversible providing excellent sharpening for several years.



(003)

AccuSharp® Pull-Through Knife Sharpener

This commercial-grade knife sharpener combines our diamond-honed tungsten carbide sharpening blades and fine ceramic rods. The heavy-duty ergonomically designed handle with the rubber over-molded grip provides a stable and comfortable platform for sharpening all your knives.



Scan here to see how our AccuSharp® Knife and Tool Sharpeners work.



(036C)



SturdyMount® Knife & Tool Sharpener

Ideal for mounting on cutting boards, kitchen counters, fillet boards, workbenches, butcher blocks, cleaning tables, and more. Perfect for indoor and outdoor use.



(004C)

AccuSharp®/ShearSharp® Combo

Sharpen just about anything in the house. This combo pack consists of the AccuSharp® Knife & Tool Sharpener and ShearSharp® Scissors Sharpener.



Scan here to see how our AccuSharp® Knife and Tool Sharpeners work.



(012C)



AccuSharp® Compact Pull-Through Knife Sharpener

This compact commercial-grade knife sharpener combines our diamond-honed tungsten carbide sharpening blades and fine ceramic rods.



(082C)



(080C)

SharpNEasy® 2-Step Tool Sharpener

Two sets of stationary ceramic rods, dark for coarse and white for fine, maintain and hone your blade for a longer-lasting edge.



Scan here to see how our AccuSharp® Knife and Tool Sharpeners work.



(334C)



(334CD)

AccuSharp® Honing Solution

MADE IN THE USA 



(068C)

AccuSharp® Arkansas Whetstone Combination Knife Sharpening Kit



The AccuSharp® Whetstone Combination Knife Sharpening Kit includes two 3" sharpening stones for traditional coarse and fine sharpening, plus a 1 oz. bottle of honing oil in an organized kit.



(023C)

AccuSharp® 3-Stone Precision Knife Sharpening Kit

The AccuSharp® 3-Stone Kit is equipped with six angle guides and three sharpening options to keep your knife's edge razor sharp with fine, medium, and coarse alumina-oxide stones.

Angle guide has settings for 11°, 15°, 18°, 21°, 25°, and 30° angles.

Grits - Coarse: 120 | Medium: 180 | Fine: 280



(060C)

AccuSharp® Natural Arkansas Pocket Stone



The AccuSharp® Natural Arkansas Pocket Stone offers traditional sharpening for all kinds of straight-bladed knives & hooks.



(024C)

AccuSharp® 5-Stone Precision Knife Sharpening Kit

The 5-Stone kit includes fine, medium, and coarse alumina-oxide stones, extra coarse diamond-coated stone (with a groove for hook sharpening), and fine ceramic stone for serrated blades. Angle guide has settings at 11°, 15°, 18°, 21°, 25°, and 30° to sharpen a wide variety of knives.

Grits - Diamond Coarse: 320 | Coarse: 120 | Medium: 180
Fine: 280 | Ceramic Fine: 1500



(059C)

AccuSharp® Tri-Stone Sharpening System

This rotating, 6 inch, three-stone system is equipped with coarse, medium, and fine alumina-oxide stones and includes a 21° angle guide.

Grits - Coarse: 120 | Medium: 180 | Fine: 240



Scan here to see how our AccuSharp® Knife and Tool Sharpeners work.

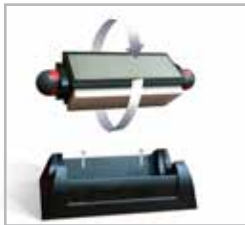


(064C)

AccuSharp® Tri-Stone DELUXE Sharpening System

This rotating, 6 inch, three-stone system is equipped with coarse diamond, medium alumina-oxide, and fine ceramic stones and includes a 21° angle guide. The base features slip resistant feet, but can also be attached to a work surface if preferred.

Grits - Diamond Coarse: 320 | Synthetic Medium: 280
Ceramic Fine: 1500



Scan here to see how our AccuSharp® Knife and Tool Sharpeners work.



(025C)

AccuSharp® Diamond Paddle Sharpener

This double-sided sharpener features an aggressive coarse diamond grit surface, a fine diamond surface for honing and finishing, and also includes a groove for sharpening hooks and darts. The folding handle allows you to fold and store your sharpener with ease.

Grits - Coarse: 320 | Fine: 600



Scan here to see how our AccuSharp® Knife and Tool Sharpeners work.



(051C)

AccuSharp® Diamond Compact Sharpener

The AccuSharp® diamond-coated compact sharpener is a tapered, cone-shaped rod engineered to use on serrations and tight spaces. This sharpener also features a groove for sharpening hooks and darts. Grit Level - 320



(050C)

AccuSharp® Sharpening Steel

The 9-inch AccuSharp® Sharpening Steel realigns the blade's edge keeping all your household knives properly honed. The steel surface quickly returns the edge of a good blade in around 10 strokes.



(032C)

AccuSharp® 4-in-1 Knife Sharpener

This sharpener features diamond-honed tungsten carbide sharpening blades, fine ceramic rods, a retractable tapered diamond rod, and a flat diamond file, all in one pocket sized unit.

Grits - Diamond Rod: 400 | Diamond File: 400 | Ceramic Fine: 1500



Scan here to see how our AccuSharp® Knife and Tool Sharpeners work.



(029C)

AccuSharp® Diamond Rod Sharpener

The AccuSharp® Diamond Rod Sharpener is a diamond-coated steel rod used to sharpen all kinds of knives, including serrated edges. The retractable rod is engineered with a cone-shaped end for serrations and tight spaces and features a groove for sharpening hooks and darts.

Grit Level - Diamond Rod: 280



Scan here to see how our AccuSharp® Knife and Tool Sharpeners work.



(030C)

AccuSharp® PRO Knife and Tool Sharpener

This chic AccuSharp PRO is sure to impress and fit into any kitchen with the same award-winning features as the 001 AccuSharp. The large ergonomic handle includes a rust-free brushed aluminum finish and matte grip for a more eye-appealing kitchen accessory. Sharpen chef's knives, paring knives, fillet knives, bread serrated knives, cleavers and many other kitchen blades in seconds!



Scan here to see how our AccuSharp® Knife and Tool Sharpeners work.



Assembled in the USA with domestic and globally sourced parts.



(040C)

AccuSharp® Diamond•PRO 2-Step Knife Sharpener

Features pre-angled coarse diamond and fine ceramic rods to sharpen, restore, and then polish a blade's edge. The Diamond•PRO 2-Step exterior is made of brushed aluminum and finished with a rubber-molded grip and rubber feet for safety.

Grits: Coarse 320 | Fine 1500



Scan here to see how our AccuSharp® Knife and Tool Sharpeners work.



(016)TRAY



(017C)

AccuSharp® Diamond Pocket Stone

The dual-sided pocket sharpening stone features both a coarse 320 grit and a fine 800 grit diamond surface and also include a groove for sharpening hooks and darts.



(027C)

AccuSharp® Diamond Sharpening Steel

Fast-sharpening and long-lasting, the 9-inch AccuSharp® Diamond Sharpening Steel will keep all your household knives properly honed. The durable diamond surface quickly returns the edge of a good blade in around 10 strokes.



(034C)

AccuSharp® Asian-Style Knife Sharpener

The AccuSharp® Asian-Style Knife Sharpener is great for sharpening and maintaining your 15-degree blades. This commercial-grade knife sharpener features both diamond-coated rods and fine ceramic rods. The diamond-coated rods are designed to carefully sharpen your 15-degree edge while the fine ceramic rods are perfect for honing and finishing your blade.

Grits: Coarse 320 | Fine 1500



Scan here to see how our AccuSharp® Knife and Tool Sharpeners work.



(052C)

AccuSharp® Compact Pull-Through Knife Sharpener

This compact commercial-grade knife sharpener combines our diamond-honed tungsten carbide sharpening blades and fine ceramic rods; all in one compact pull-through unit.



(083C)



(081C)

AccuSharp® Pull-Through Knife Sharpener

This commercial grade knife sharpener combines our diamond-honed tungsten carbide sharpening blades and fine ceramic rods. The heavy-duty ergonomically designed handle with the rubber over-molded grip provides a stable and comfortable platform for sharpening all your knives.



Assembled in the USA with domestic and globally sourced parts.



(039C)

AccuSharp® Broadhead

This innovative design allows you to keep all* your broadheads sharp and will quickly become your “go-to” tool. The wrench works with 2, 3, 4, and 5 blade broadheads.
*Note: Some broadheads may need to be disassembled.



(013C)



Scan here to see how our AccuSharp® Knife and Tool Sharpeners work.



AccuSharp® Blaze Orange Knife & Tool Sharpener

Sharpen knives (even serrated knives), cleavers, axes, machetes, and many other cutting tools in about 10 seconds. The large ergonomic handle fits either hand & the full-length finger guard safely protects your fingers. The sharpening blades are diamond-honed tungsten carbide and provide years of reliable use.



Scan here to see how our AccuSharp® Knife and Tool Sharpeners work.



(014C)

SharpNEasy® 2-Step Orange Knife Sharpener

Two sets of stationary ceramic rods include dark for coarse and white for fine, maintain & hone your blade for a longer-lasting edge. A great companion to your AccuSharp® Blaze Orange Sharpener!



Scan here to see how our AccuSharp® Knife and Tool Sharpeners work.



(335CD)



(336C)

AccuSharp® 4-in-1 Knife Sharpener

This sharpener features diamond-honed tungsten carbide sharpening blades, fine ceramic rods, a retractable tapered diamond rod, and a flat diamond file, all in one pocket sized unit.

Grits - Diamond Rod: 400 | Diamond File: 400
Ceramic Fine: 1500



Scan here to see how our AccuSharp® Knife and Tool Sharpeners work.



(028C)

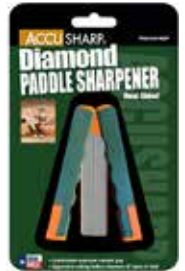
AccuSharp® Diamond Paddle Sharpener

This double-sided sharpener features an aggressive coarse diamond grit surface, a fine diamond surface for honing and finishing, and also includes a groove for sharpening hooks and darts. The folding handle allows you to fold and store your sharpener with ease.

Grits - Coarse: 320 | Fine: 600



Scan here to see how our AccuSharp® Knife and Tool Sharpeners work.



(077C)

AccuSharp® OD Green Knife Sharpener

The exact same sharpener as our original AccuSharp®, but in a color that calls to mind the great outdoors; Olive Drab! Great for your hunting bag, workshop, toolbox, glove box and more. The large ergonomic handle fits either hand safely and securely.



Scan here to see how our AccuSharp® Knife and Tool Sharpeners work.



MADE IN THE USA 



(008C)

AccuSharp® Camouflage Knife & Tool Sharpener

The outdoor enthusiast can have the world's best knife and tool sharpener in this attractive CAMO design with all of the great features of the original AccuSharp®.



Scan here to see how our AccuSharp® Knife and Tool Sharpeners work.



MADE IN THE USA 



(005C)

AccuSharp® Fillet Knife Sharpener

Fishermen, craftsmen and anyone who uses a knife, all need the easy-to-use and affordable AccuSharp® Fillet Knife Sharpener.



Scan here to see how our AccuSharp® Knife and Tool Sharpeners work.



MADE IN THE USA



(010C)

AugerSharp® Tool Sharpener

The ice fisherman's dream. Now you can spend more time fishing and less time drilling holes in the ice. Ideal for all those single-beveled blades.



MADE IN THE USA



(007C)

AccuSharp® Game Processing Kit

The AccuSharp® Game Processing Kit includes a butcher knife, caper knife, gut-hook knife, bone saw, ribcage spreader, zip ties, game cleaning gloves, with a hard-side carry case and our award-winning AccuSharp® Knife Sharpener to keep your edge. This case is a must-have for your next outdoors adventure. Our stainless steel knives are made with a wide, non-slip rubber grip for easy handling.



Scan here to see how our AccuSharp® Knife and Tool Sharpeners work.

Includes the Award-Winning
**AccuSharp® Blaze Orange
Knife Sharpener**

(728C)

AccuSharp® Promotional Items

The AccuSharp® combo packs are great promotional items for your special store events. We created perfect gift combinations for just about everybody in the family. Our popular AccuSharp® Knife and Tool Sharpeners and SharpNEasy® 2-Step Knife Sharpeners with our Sport Knives and Lockback Knives are a classic choice for any promotional season.



(041C)



(042C)



(043C)



(044C)



(045C)



(046C)



(810C)

AccuSharp® Lockback Knife Combo

This lightweight and robust folding pocket knife fits comfortably and safely in the palm of your hand. The distinctive hand grip prevents slipping forward while the blade is reliably locked by the solid lockback feature.



(716C)



(717C)



(721C)



(723C)

AccuSharp® Folding Sport Knife

The sport knife is constructed of anodized aluminum and stainless steel with a wheel lock and a belt clip. Our knives also feature an emergency glass breaker.



(701C) (703C) (704C) (709C)

Actual Size: 7" Open | 4" Closed | 3" Blade



AccuSharp® Gut-Hook Knife

AccuSharp 420 Stainless steel blade with our blaze orange wide over-molded non-slip grip.



Actual Size:

8.5" Total

3.5" Blade



(729C)

AccuSharp® Lockback Knife

This lightweight, stainless steel blade, features a removable one-hand opening pin, Allen wrench, safety lock and a comfortable grip in three of our top-selling colors; black, blaze orange, and CAMO.



(711C) (712C) (713C)

Actual Size: 8" Open | 4.5" Closed | 3" Blade



ParaForce Lockback Knife

- Pocket Clip
- Lightweight
- Safety Lock



Actual Size:

7" Open

4" Closed

3" Blade



(801LBKS)

18 pc Counter Display

6 black, 6 blue, 3 orange and 3 green



(801C)

18 pc case pack Assorted Colors

ParaForce Compact Multi-Tool

- | | |
|-------------------------|-----------------------------|
| 1. Needle Nose Pliers | 8. Can Opener |
| 2. Regular Pliers | 9. Nail Cleaner |
| 3. Pliers Scissors | 10. Nail File (double side) |
| 4. Sharp Knife | 11. Small Screwdriver |
| 5. Bottle Opener | 12. Medium Screwdriver |
| 6. Phillips Screwdriver | 13. Large Screwdriver |
| 7. Serrated Knife | |



(800MTS)
18 pc Counter Display
6 black, 6 blue, 3 orange and 3 yellow



Actual Size:
4.25" Open
2.75" Closed

(800C)
18 pc case pack Assorted Colors

ParaForce Full Size Multi-Tool

- | | |
|-------------------------|-----------------------------|
| 1. Needle Nose Pliers | 9. Fish Scaler |
| 2. Regular Pliers | 10. Nail File (double side) |
| 3. Wire Cutter | 11. Small Screwdriver |
| 4. Sharp Knife | 12. Medium Screwdriver |
| 5. Bottle Opener | 13. Large Screwdriver |
| 6. Phillips Screwdriver | 14. Hook Remover |
| 7. Boning Saw | 15. Ruler |
| 8. Can Opener | |



Actual Size:
6" Open
4" Closed



(802C)

Gardener's Multi-Tool

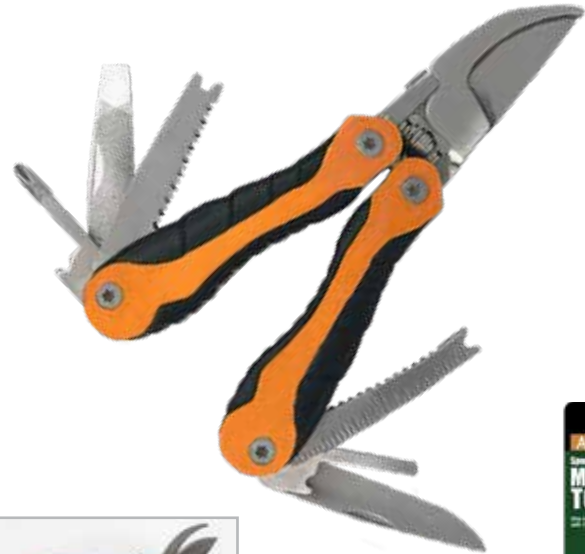
1. Pruners
2. Phillips Screwdriver
3. Small screwdriver
4. Nail File (double sided)
5. Large screwdriver
6. Saw
7. Sharp Knife
8. Fish Scaler
9. Hook remover
10. Ruler (inch)



(084C)

Sportsman's Multi-Tool

1. Pruners
2. Phillips Screwdriver
3. Small screwdriver
4. Nail File (double sided)
5. Large screwdriver
6. Saw
7. Sharp Knife
8. Fish Scaler
9. Hook remover
10. Ruler (inch)



(085C)

STAND OUT to your customers with Custom Imprint Sharpener!



With over 100+ different custom combinations to choose from, it's easy to create the perfect sharpener for YOUR brand.

AccuSharp® Knife & Tool Sharpener

Logo size: 2.31" x .65". Minimum order quantity may apply.

In-stock sharpener handle colors:



In-stock finger guard colors:

*Only white handle color may substitute finger guard colors.



In-stock ink colors:



SharpNEasy® 2-Step Knife & Tool Sharpener

Logo size: .778" x .4"
Minimum order quantity may apply.



Recommended ink colors:



AccuSharp® Floor Stand Display

Each floor stand holds 36 AccuSharp® products and takes minutes to set up. Display as a stand-alone display, hang with 'S' clips (provided) or place on a counter or shelf.

Dimensions: 14" (L) x 14" (W) x 58" (H).

Interior: 13" x 21"



(001FS)

(005/014FS)

(700FS)

(006FS)

AccuSharp® Multi-Piece Floor Stand Display

Mix and match colors with a display that fits your store and customers' needs.

Dimensions: 14" (L) x 14" (W) x 58" (H)

Interior: 33 1/2" x 13 1/2"



AccuSharp® Rack Display

Approximate Dimensions:

- 14" wide x 7" deep

- 2-Tier unit: 21" tall (30" tall with display card)

- 1-Tier unit: 12" tall (21" tall with display card)

* Free tier rack display with purchase of 36 pieces



AccuSharp® Point of Purchase (POP) Display

This simple but effective AccuSharp® acrylic point-of-purchase display unit does a great job of direct selling! Point out the terrific features of these sharpeners without ever saying a word and help increase your sales.

An easy way to increase your AccuSharp Sales!



ACCUSHARP®

Keep your edge®

AccuSharp® has been featured or reviewed by these publications:

The Florida Times-Union
jacksonville.com

CHOW

San Antonio Express-News
ExpressNews.com | mySA.com

THE
WALL STREET
JOURNAL

COOK'S
ILLUSTRATED

HOUSTON
CHRONICLE

Pittsburgh Post-Gazette®

TODAY

The New York Times

Article on Cool Tools by David Carr

January 5, 2014

c|net

Patio Garden

Presidential "E" Award Winner



For Excellence in Exporting

“
Cool Tools, both the website and the book (by Kevin Kelly), is not about getting more things, or expensive gadgets, but about finding the right stuff. For me, it was the \$9 AccuSharp Knife Sharpener, remarkably useful because it makes something I already have – an indifferent set of kitchen knives – much more valuable.

”
David Carr -- The New York Times

FORTUNE
PRODUCTS

1-800-742-7797 | www.accusharp.com | sales@accusharp.com

